

HAKA 63/51Wa, 63/51Wa+

Technical data
Version 11/2014

OPERATION WHEN DIRECTLY CONNECTED TO CHIMNEY	HAKA 63/51 Wa	HAKA 63/51 Wa+
Tested according to	EN 13229	EN 13229
Nominal heat power / Power absorbed to water	15 / 9,5 kW	22 / 12,7 kW
Efficiency	> 80 %	> 80 %
Consumption of wood	4 kg/h	6 kg/h
Mass flow of flue gas	13 g/s	17 g/s
Average flue gas temperature on the output	225 °C	252 °C
Heat distribution		
fireplace insert	20 %	25 %
door glass (single / double)	- / 17 %	- / 17 %
water	63 %	58 %
Required chimney pressure	12 Pa	12 Pa
Required amount of combustion air	40 m ³ /h	60 m ³ /h
Minimum supply air grating cross-section	350 cm ²	600 cm ²
Minimum outgoing air grating cross-section	400 cm ²	700 cm ²

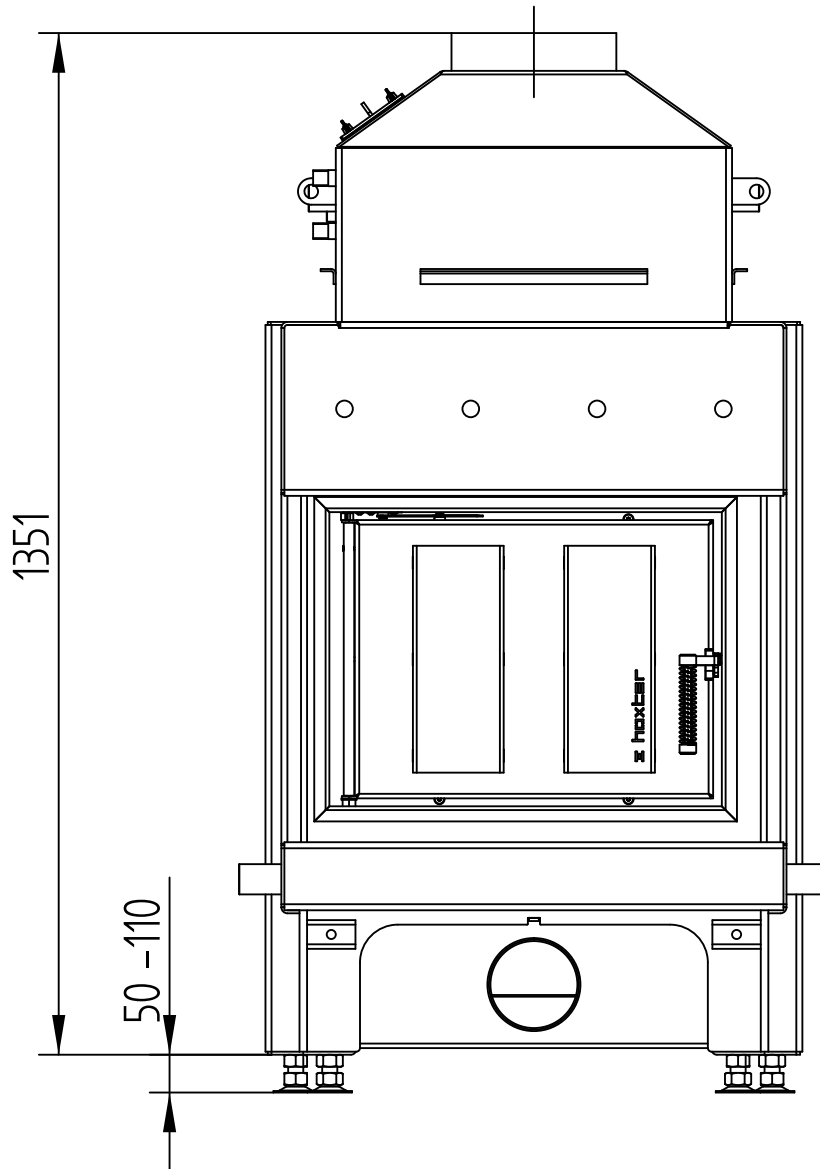
WATER EXCHANGER SPECIFICATIONS		
Maximum working pressure	2,5 bar	2,5 bar
Minimum return water temperature	55 °C	55 °C
Water capacity	55 liter	55 liter
Connection input / output	G 1 / G 1	G 1 1/2 / G 1 1/2

GENERAL TECHNICAL INFORMATION		
Combustion air connection	Ø 125 mm	Ø 150 mm
Total weight / lining weight	ca. 327 / 100 kg	
Use in non-ventilated accumulation builds according to craft rules	suitable	
Meets values	BlmSchV (Stufe2), 15a BVG	

HAKA 63/51Wa, 63/51Wa+

Technical data
Version 11/2014

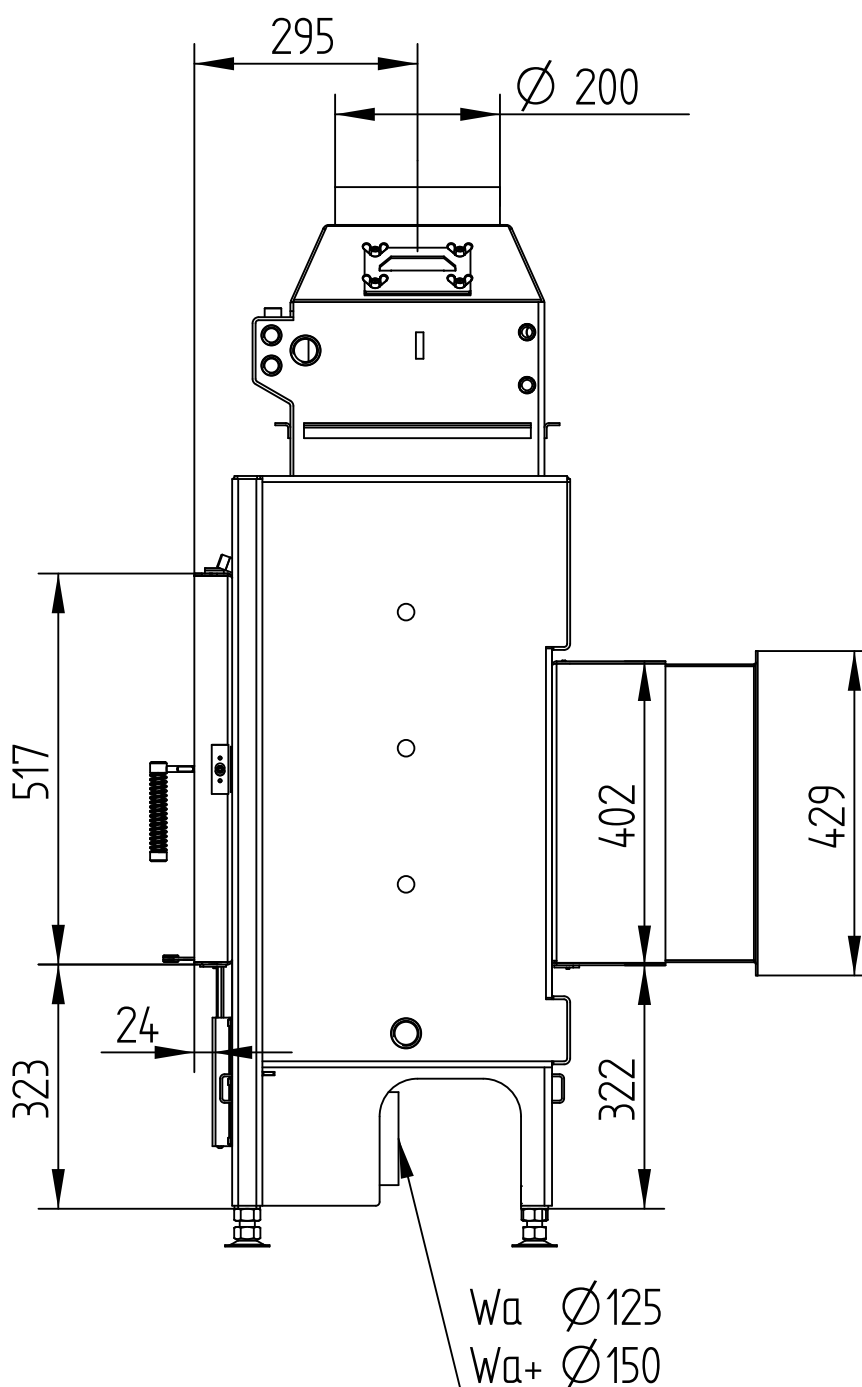
M 1 : 10



HAKA 63/51Wa, 63/51Wa+

Technical data
Version 11/2014

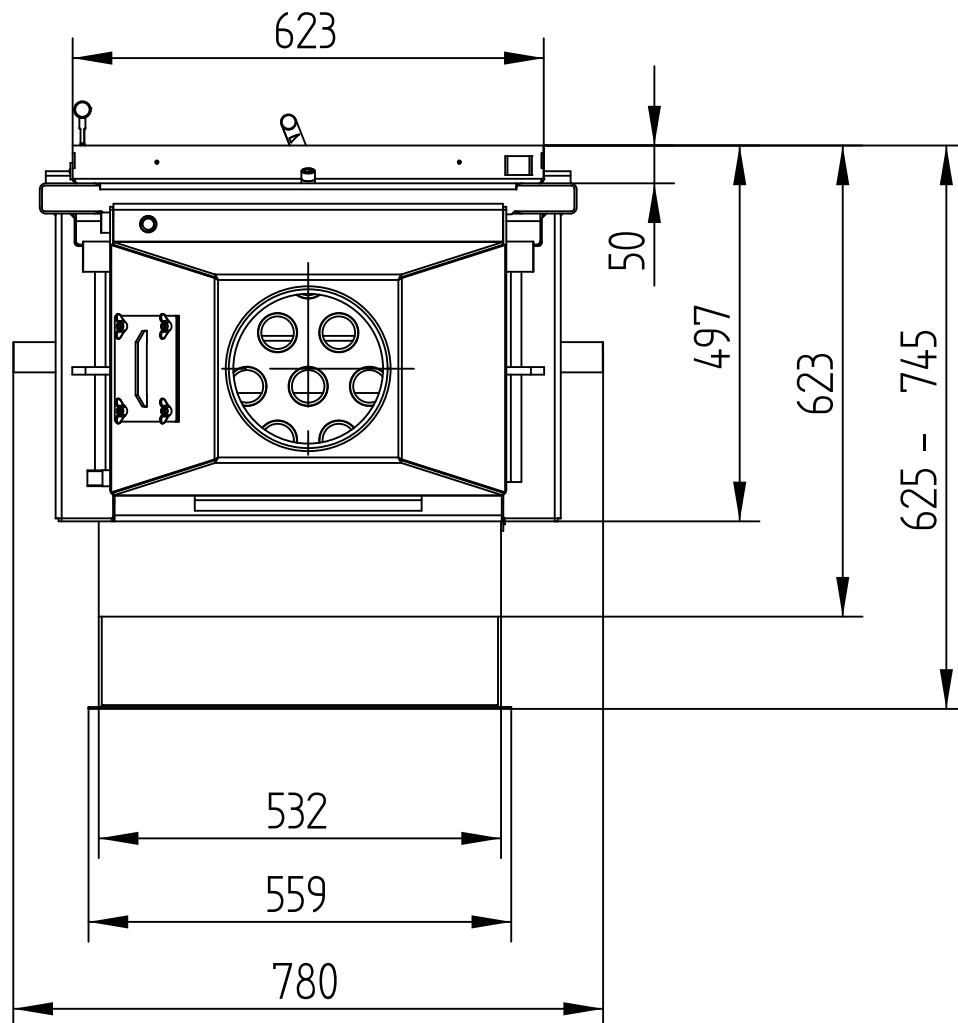
M 1 : 10



HAKA 63/51Wa, 63/51Wa+

Technical data
Version 11/2014

M 1 : 10

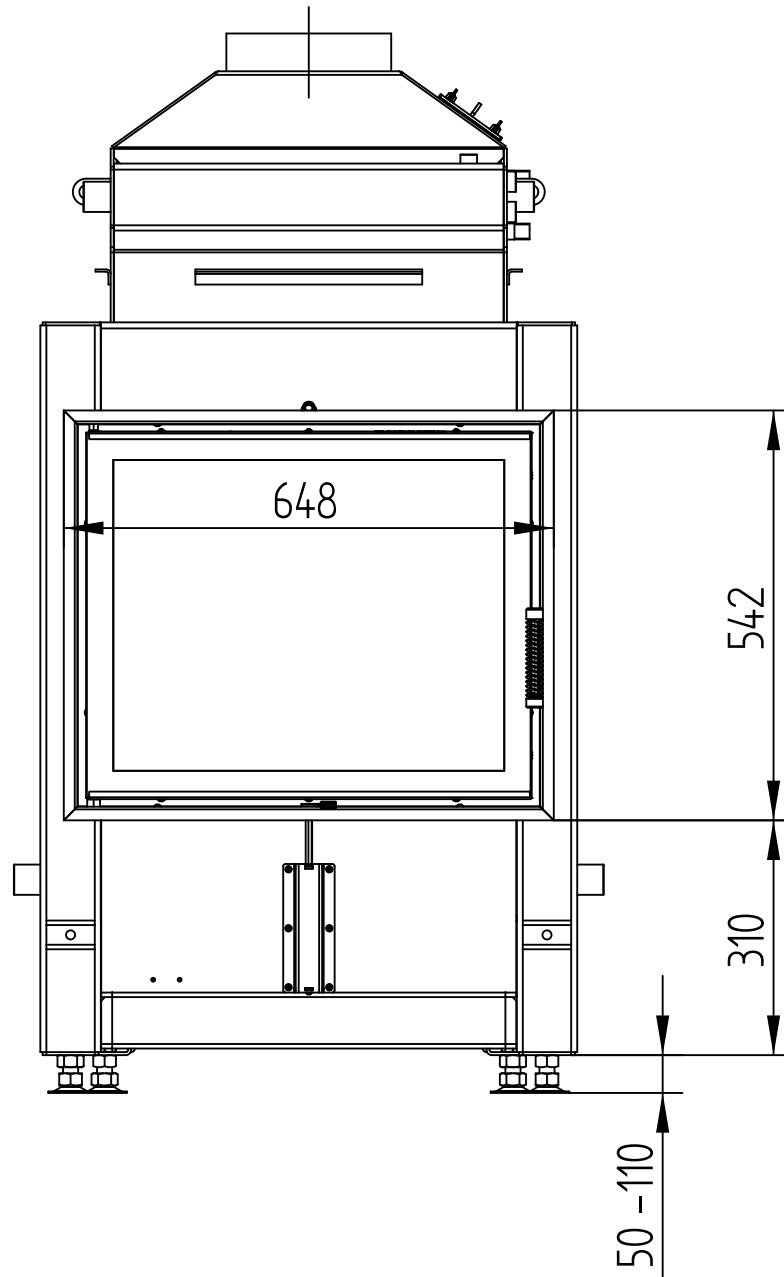


HAKA 63/51Wa, 63/51Wa+

Technical data
Version 11/2014

COVER FRAME 4-SIDED 1 x 90°

M 1 : 10

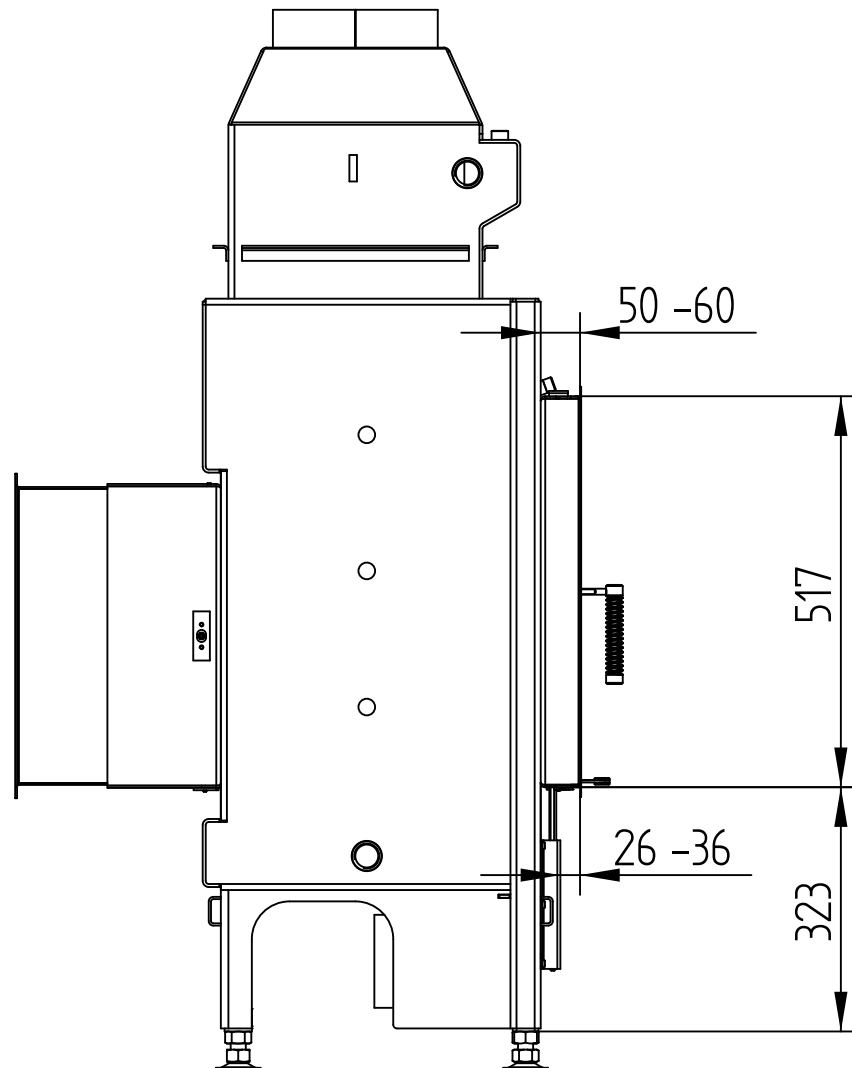


HAKA 63/51Wa, 63/51Wa+

Technical data
Version 11/2014

COVER FRAME 4-SIDED 1 x 90°

M 1 : 10

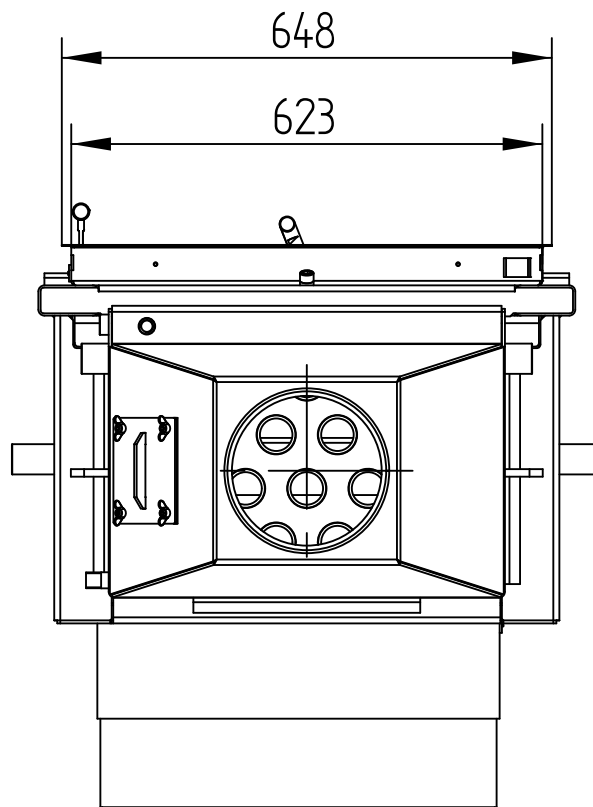


HAKA 63/51Wa, 63/51Wa+

Technical data
Version 11/2014

COVER FRAME 4-SIDED 1 x 90°

M 1 : 10

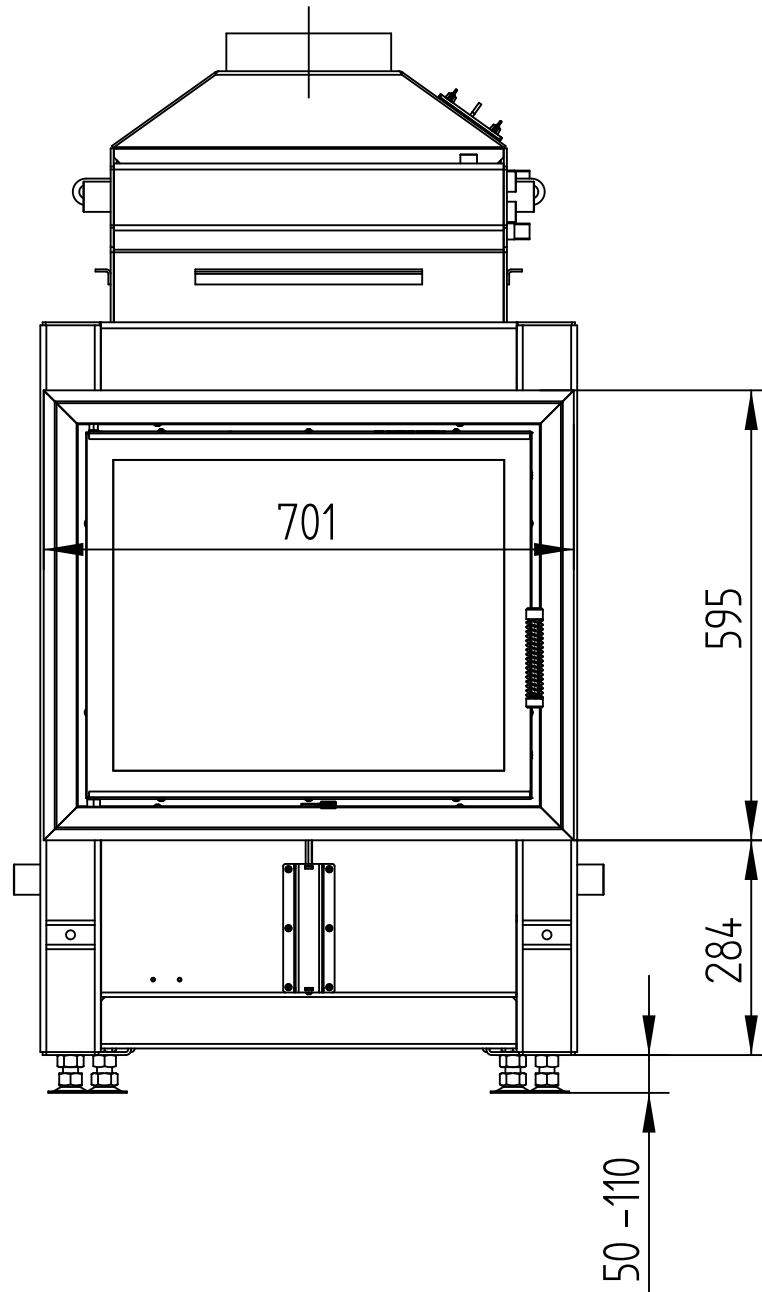


HAKA 63/51Wa, 63/51Wa+

Technical data
Version 11/2014

COVER FRAME 4-SIDED 2 x 45°

M 1 : 10

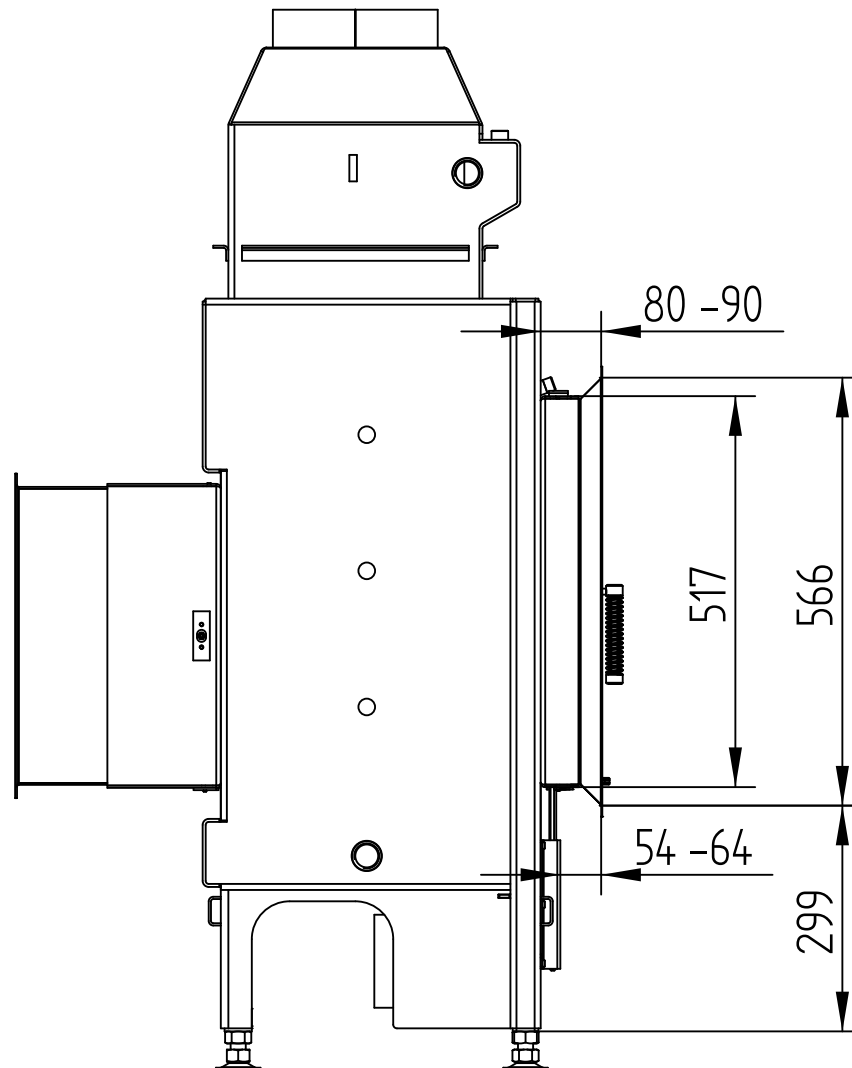


HAKA 63/51Wa, 63/51Wa+

Technical data
Version 11/2014

COVER FRAME 4-SIDED 2 x 45°

M 1 : 10



HAKA 63/51Wa, 63/51Wa+

Technical data
Version 11/2014

COVER FRAME 4-SIDED 2 x 45°

M 1 : 10

