

OPERATION WHEN DIRECTLY CONNECTED TO CHIMNEY		ECKA 50/35/45 WL(h) (WR(h))
Tested according to		EN 13229
Nominal heat power / Power absorbed to water		7,5 / 4,5 kW
Efficiency		> 80 %
Consumption of wood		2,5 kg/h
Mass flow of flue gas		8,0 g/s
Average flue gas temperature on the output		220 °C
Heat distribution		
fireplace insert		10 %
door glass (single / double)		36 / 25 %
water		54 - 65 %
Required chimney pressure		12 Pa
Required amount of combustion air		25 m ³ /h
Minimum supply air grating cross-section		200 cm ²
Minimum outgoing air grating cross-section		250 cm ²

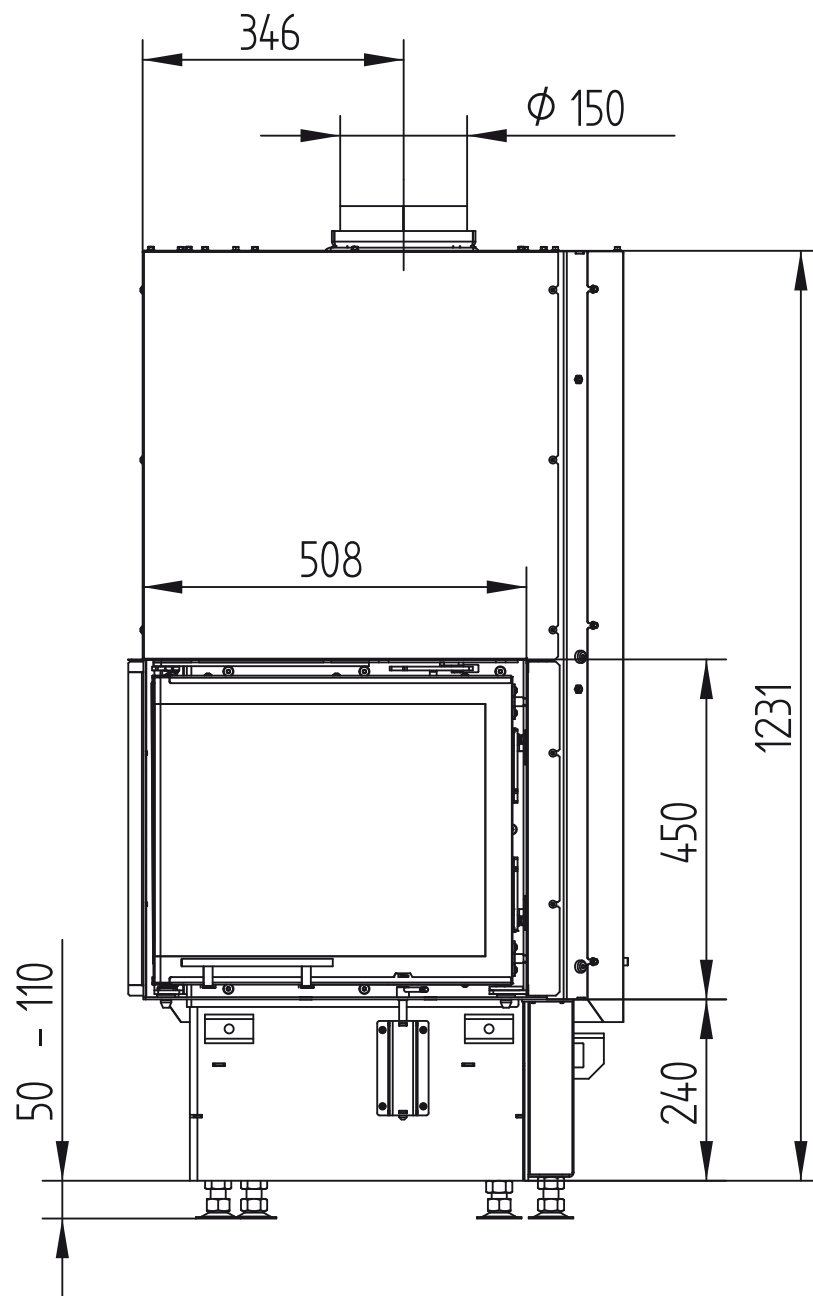
WATER EXCHANGER SPECIFICATIONS	
Maximum working pressure	2,5 bar
Minimum return water temperature	55 °C
Water capacity	26 liter
Connection input / output	G 1 / G 1

GENERAL TECHNICAL INFORMATION	
Combustion air connection	Ø 125 mm
Total weight / lining weight	227 ^(A) - 168 ^(B) / 45 kg
Use in non-ventilated accumulation builds according to craft rules	suitable
Meets values	BlmSchV (Stufe2), 15a BVG

ECKA 50/35/45WLh^(A)

Technical data
Version 11/2014

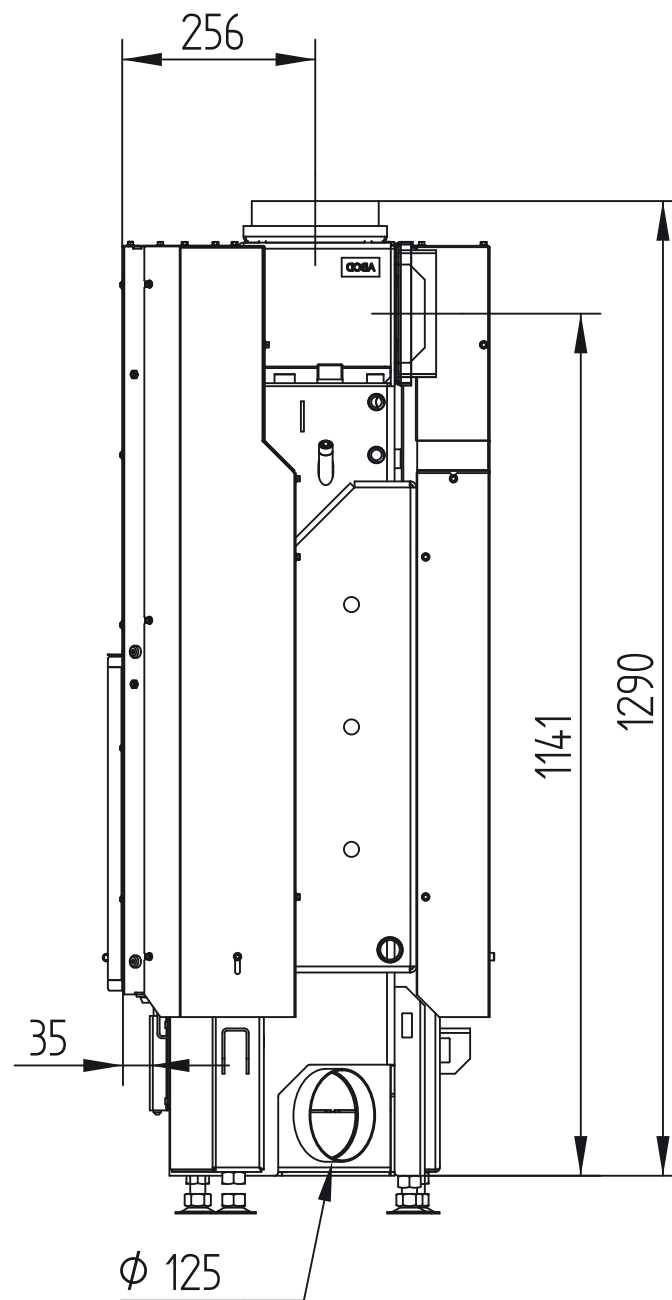
M 1 : 10

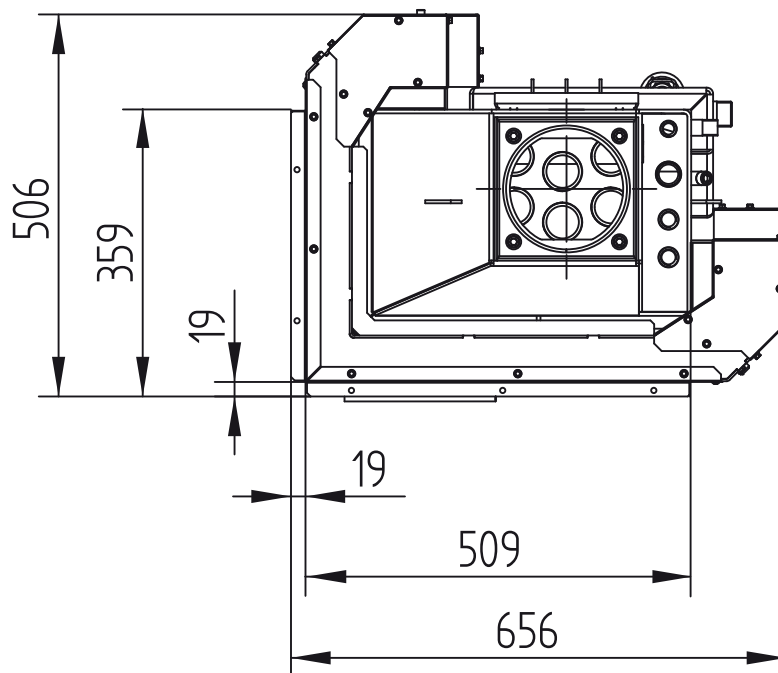


ECKA 50/35/45WLh^(A)

Technical data
Version 11/2014

M 1 : 10

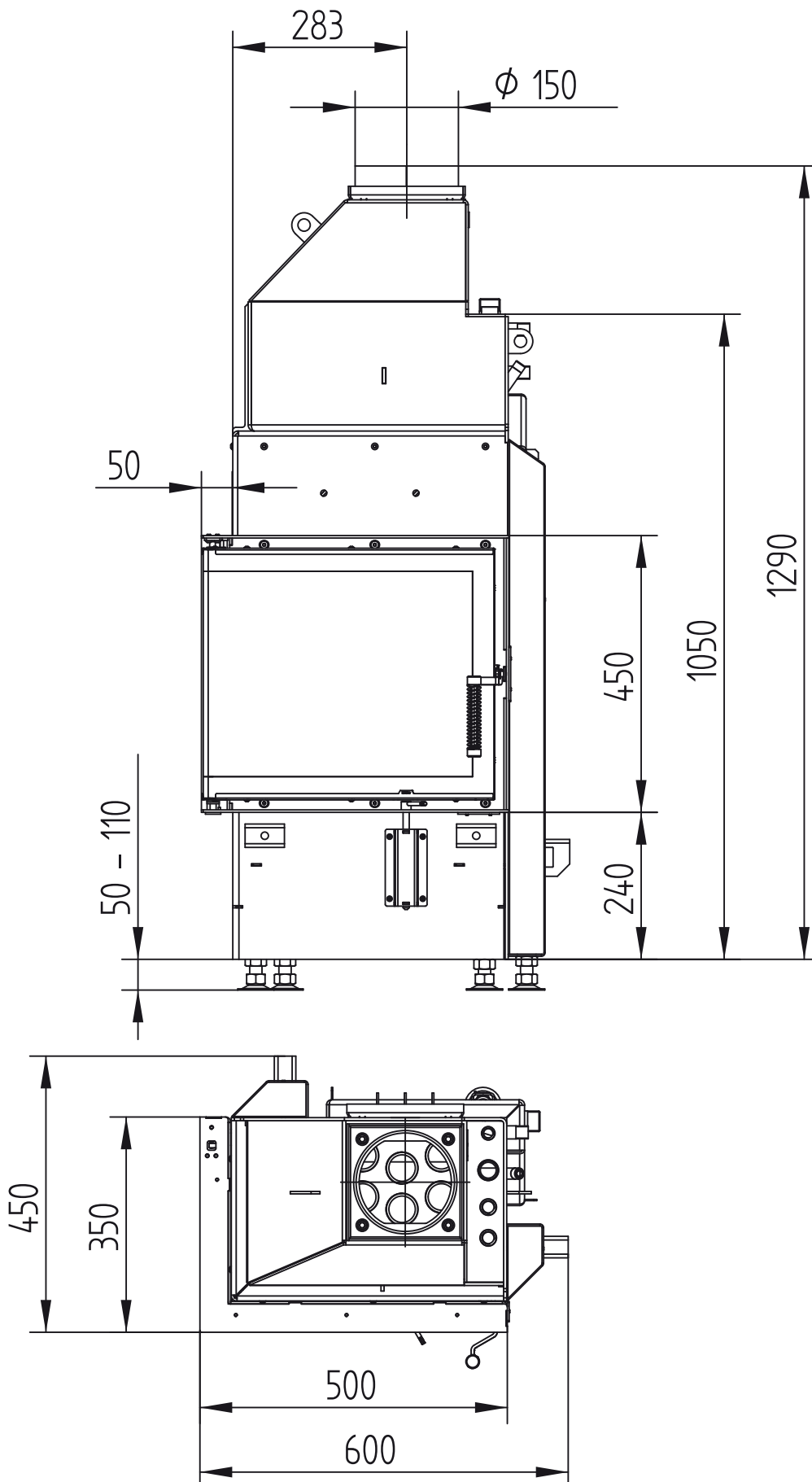




ECKA 50/35/45WL ^(B)

Technical data
Version 11/2014

M 1 : 10



ECKA 50/35/45WL (B)

Technical data
Version 11/2014

M 1 : 10

